

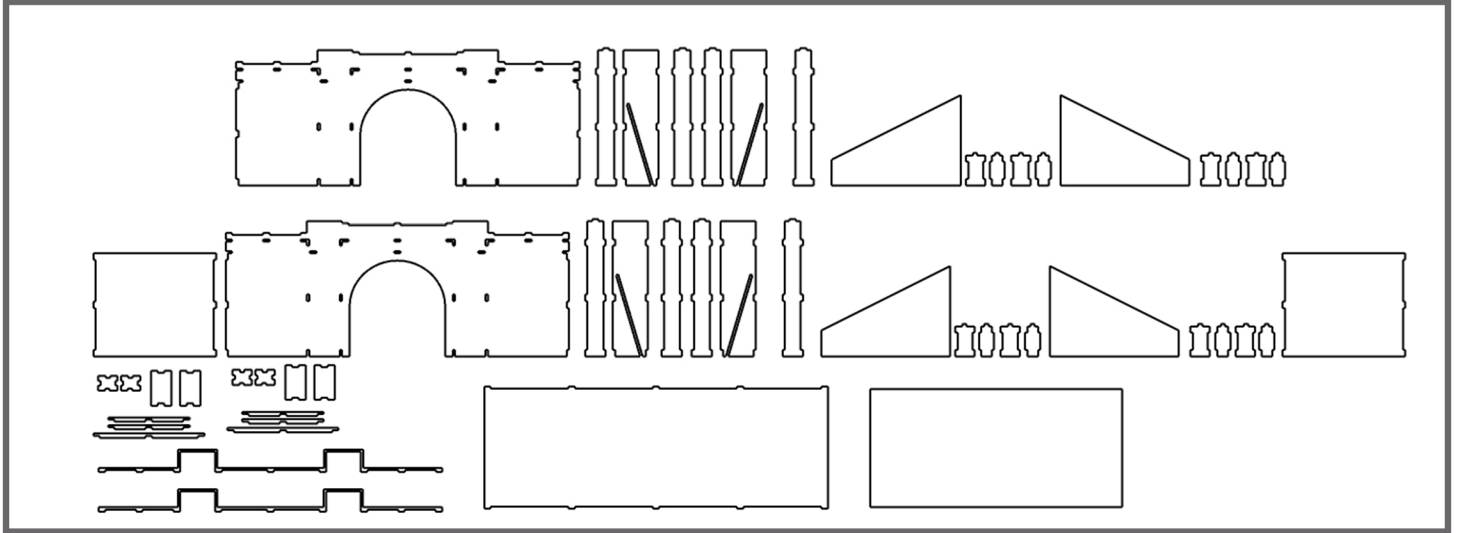


WWSCENICS.COM

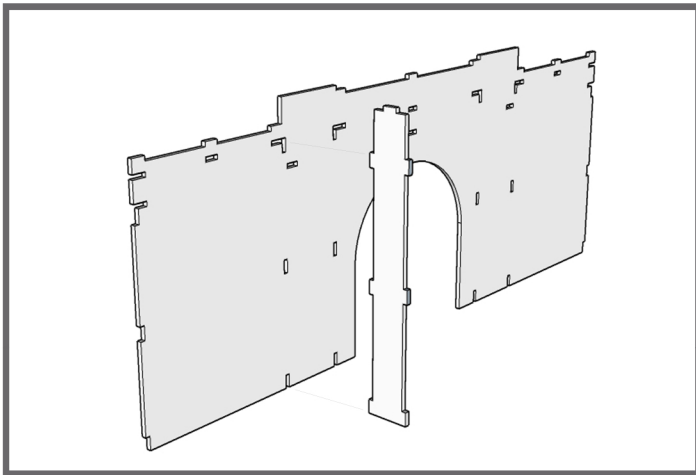
OO Gauge Double Track Road Bridge with MSE Retaining Walls

GLUE ————— PLACE - - - - -

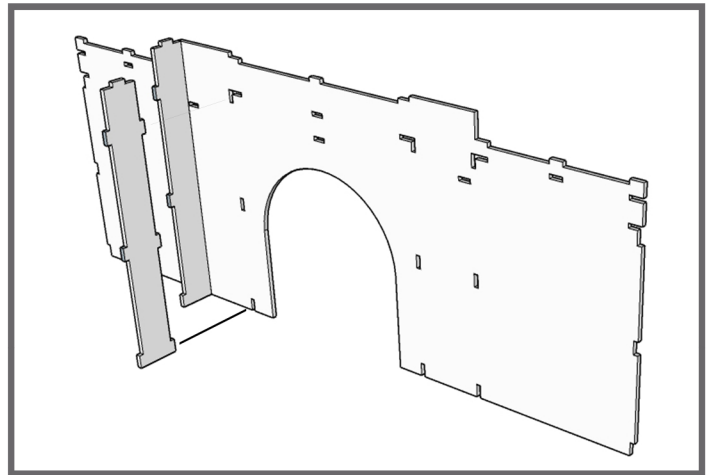
CONTENTS LIST



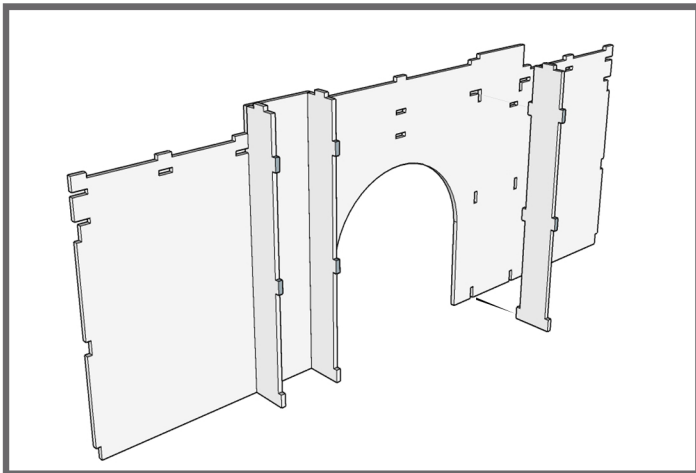
PART 1



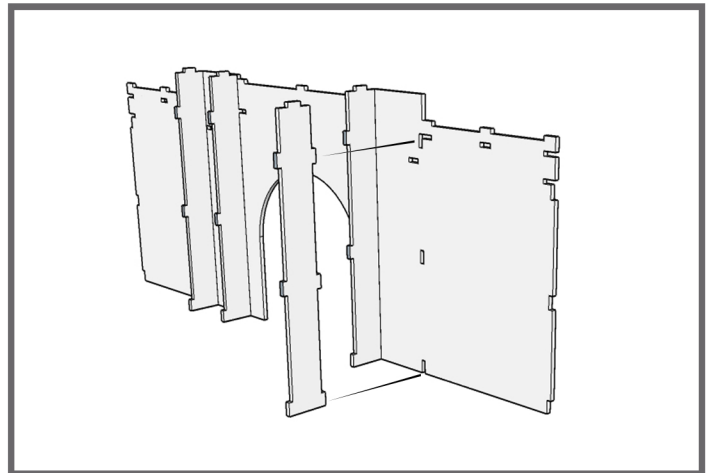
PART 2



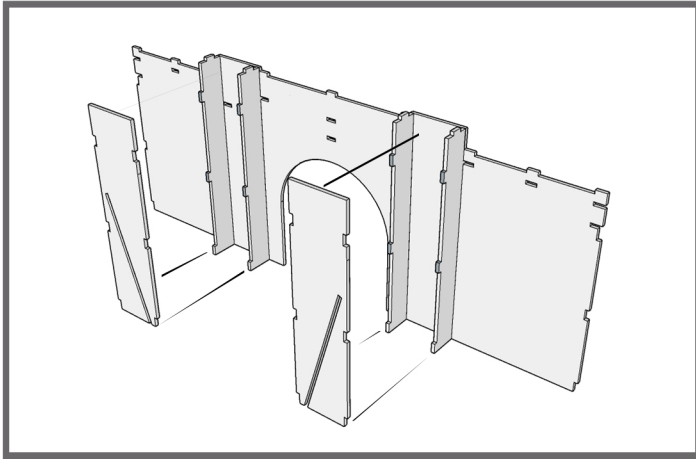
PART 3



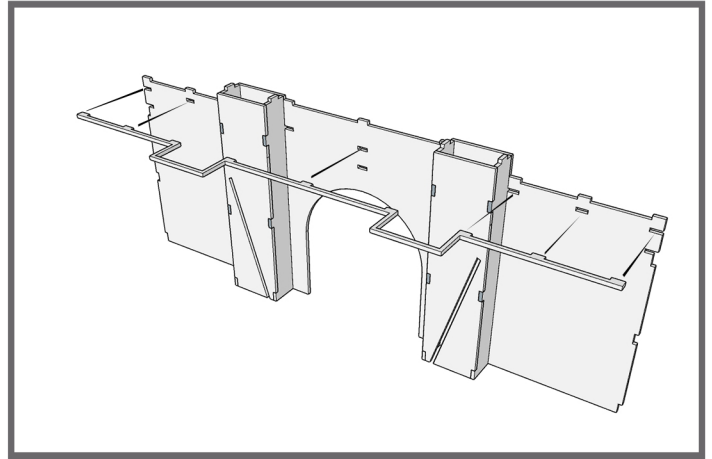
PART 4



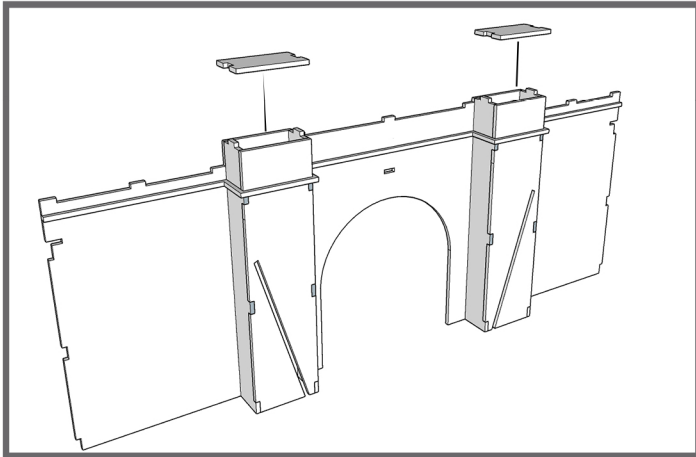
PART 5



PART 6



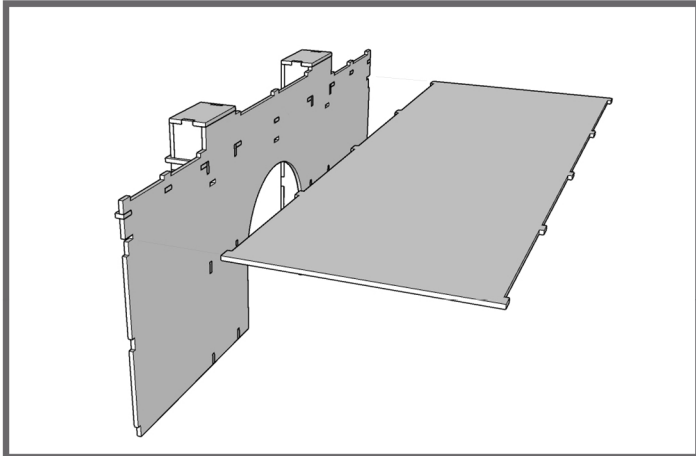
PART 7



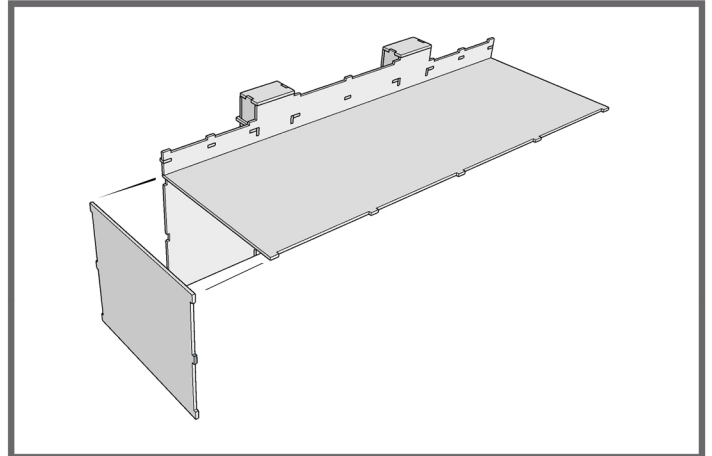
PART 8



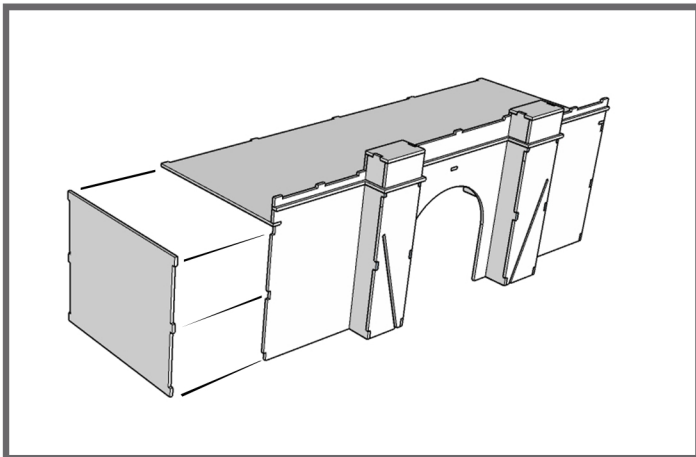
PART 9



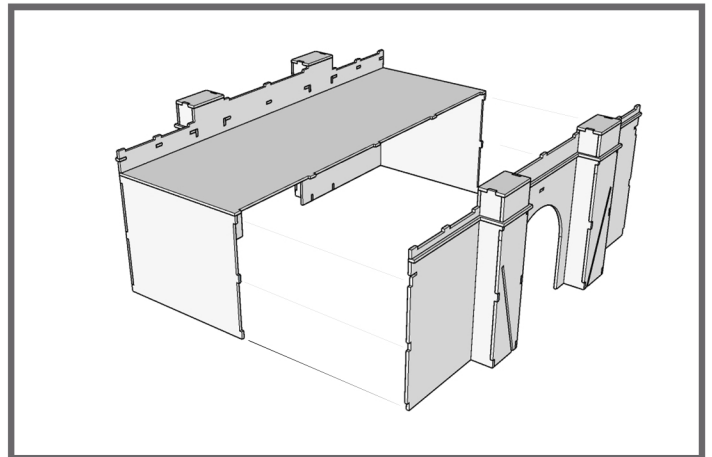
PART 10



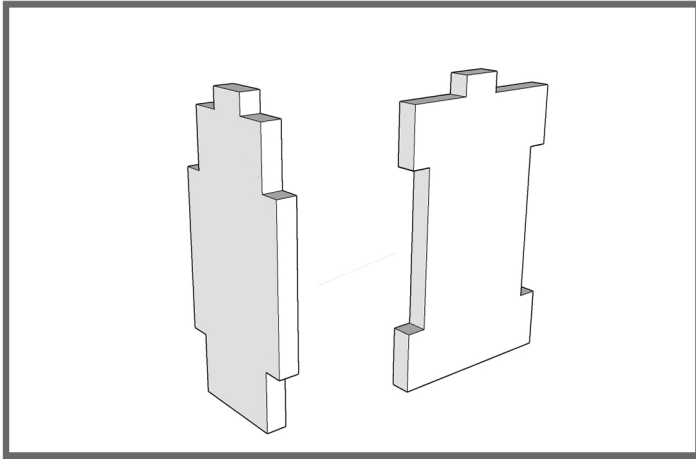
PART 11



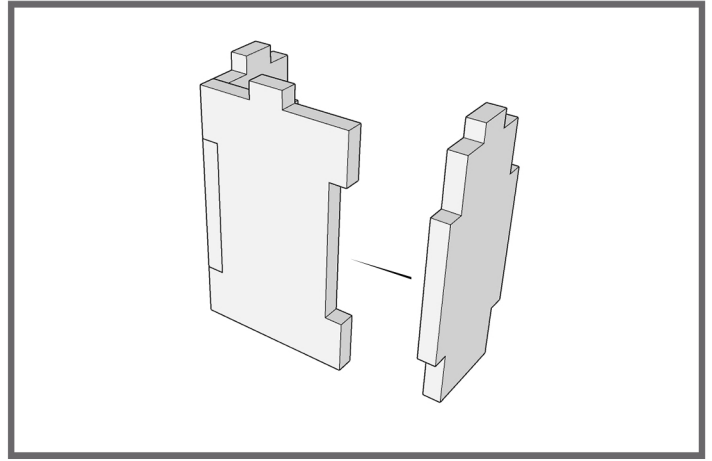
PART 12



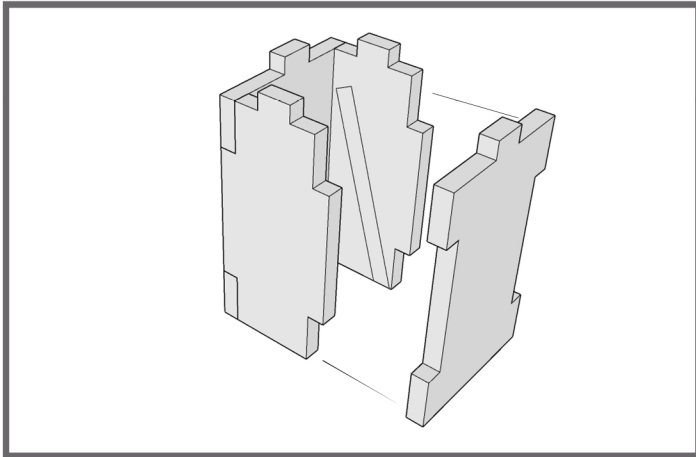
PART 13



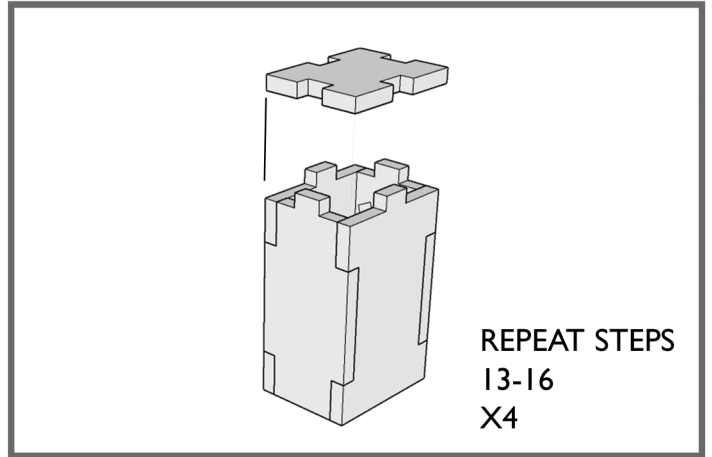
PART 14



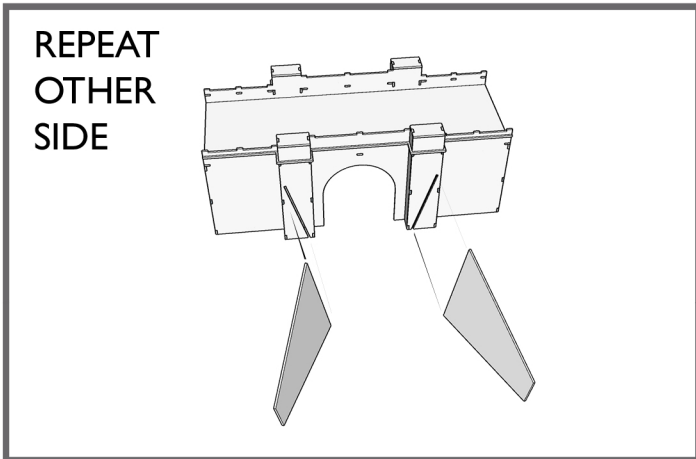
PART 15



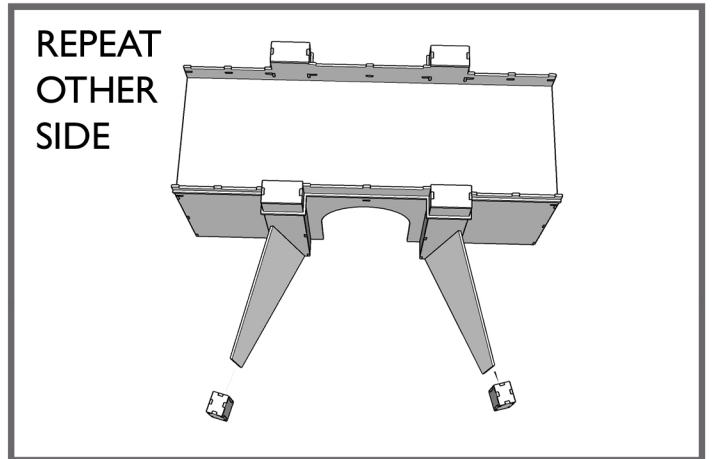
PART 16



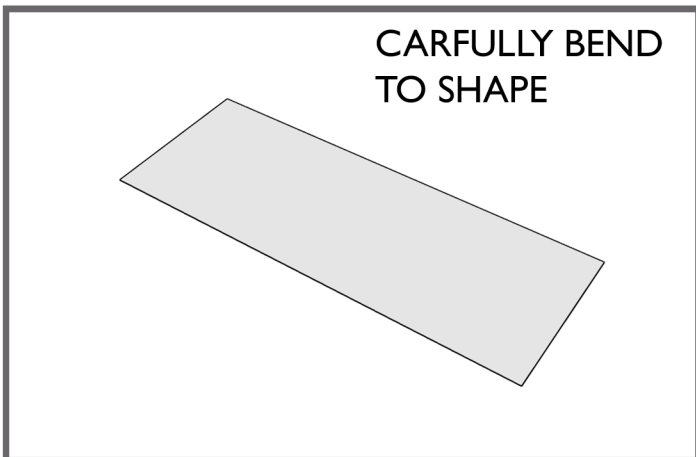
PART 17



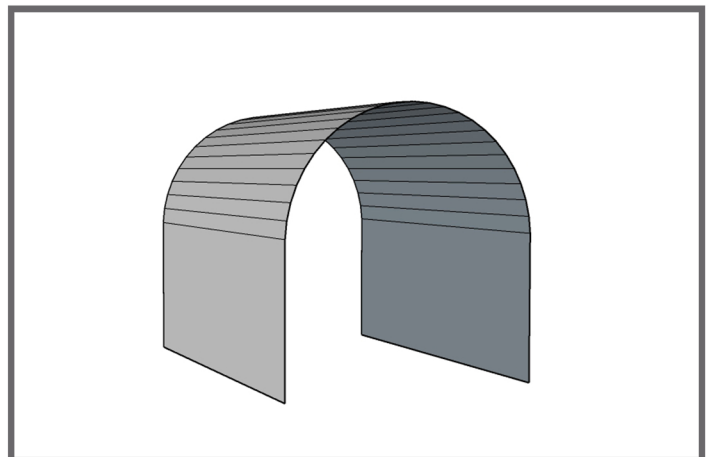
PART 18



PART 19



PART 20



PART 5

