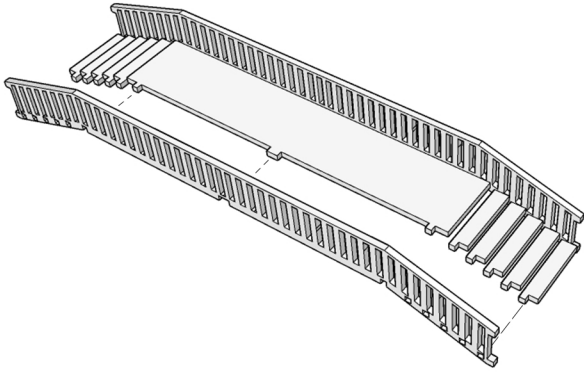
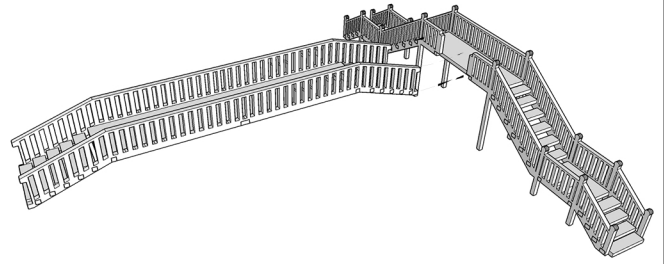


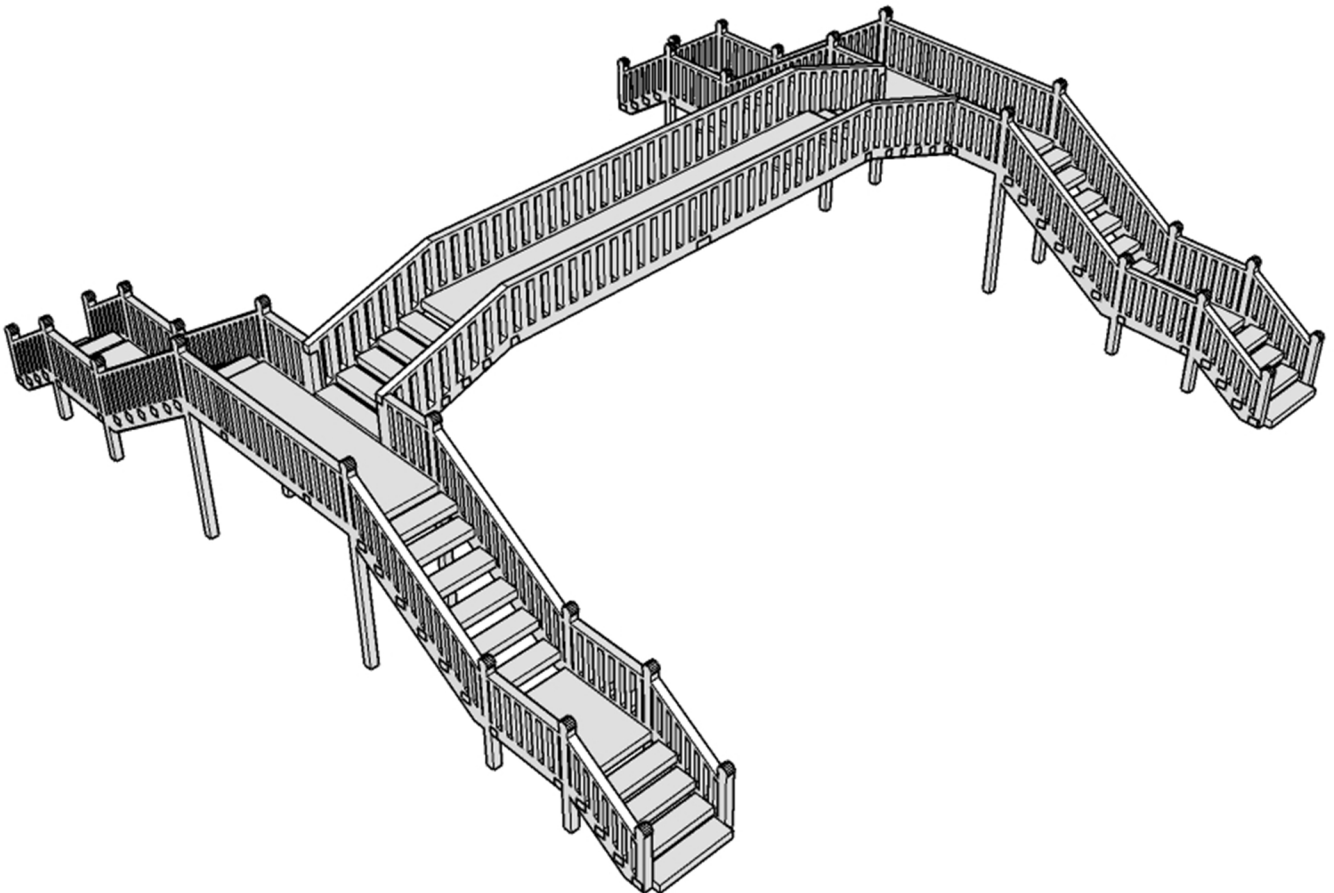
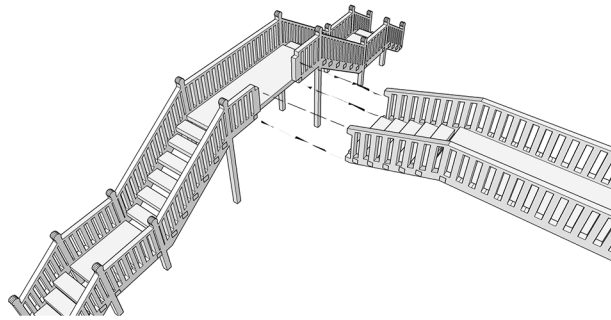
STEP 7



STEP 8



STEP 9



WALK OVER "X" SHAPE

GLUE ————— PLACE - - - - -

