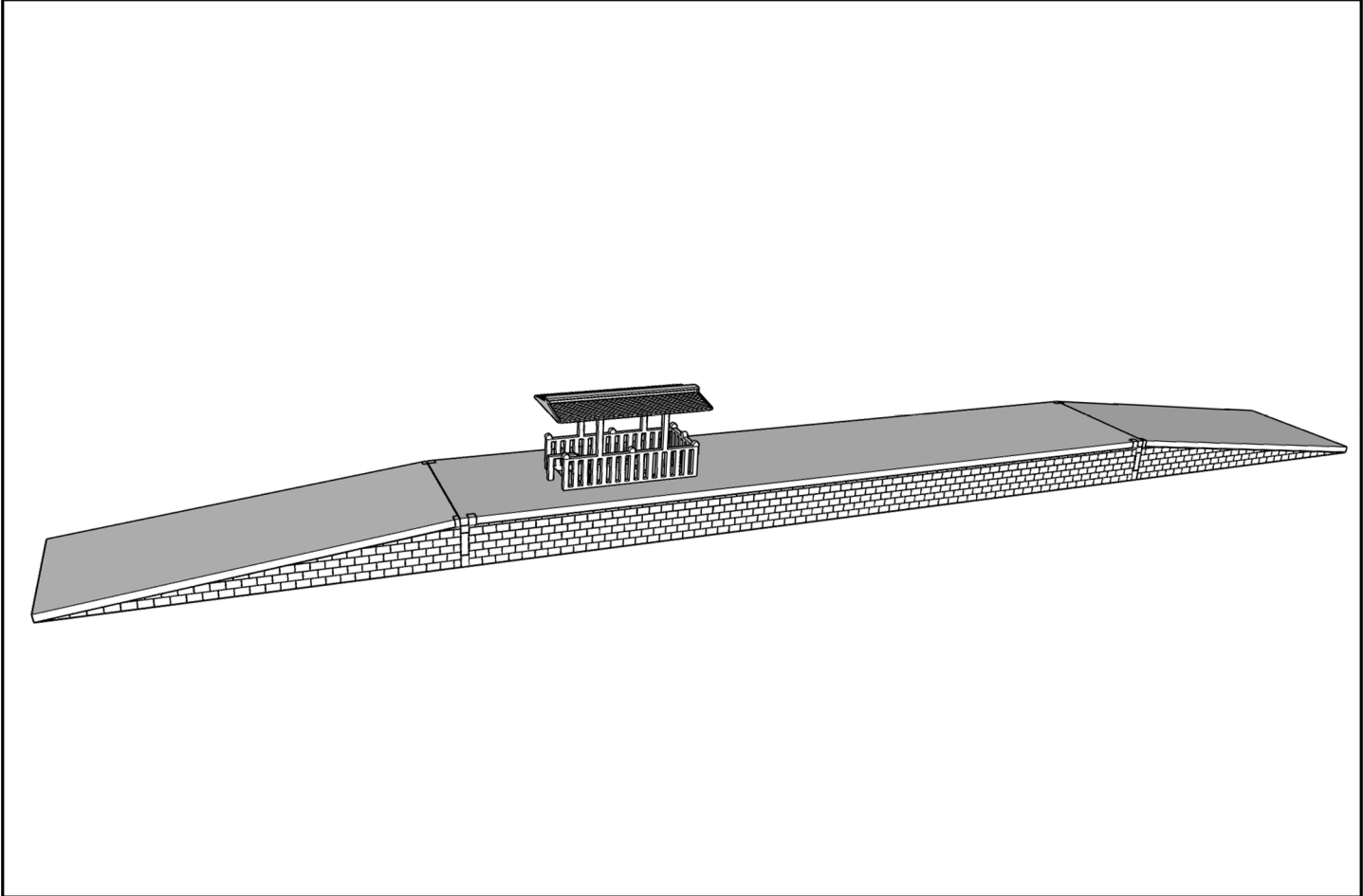
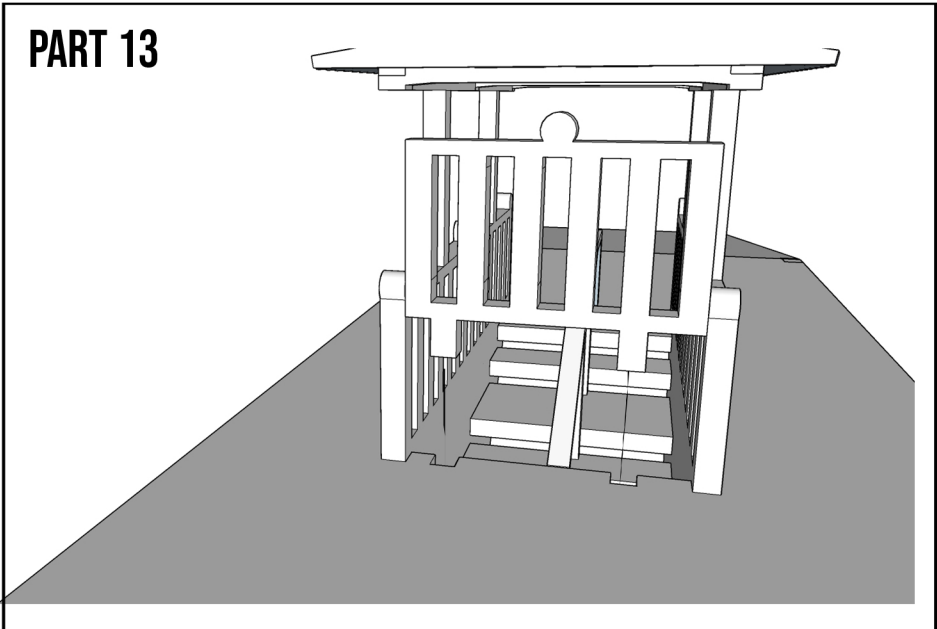
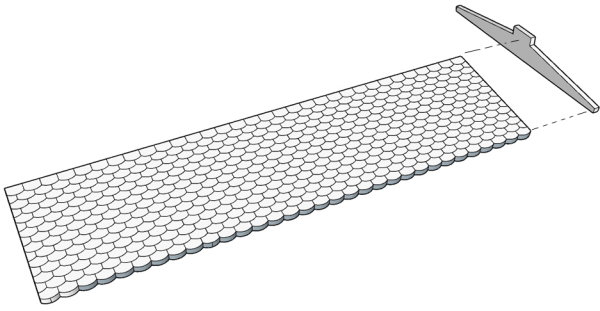


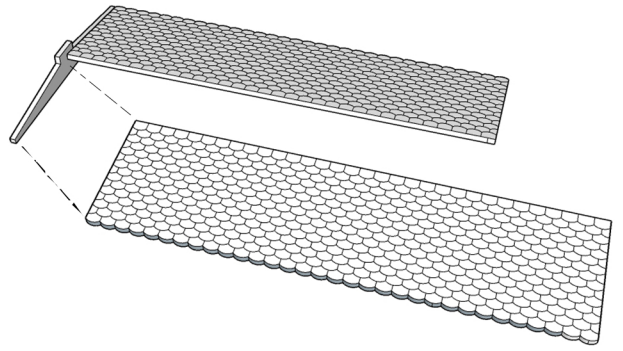
PART 13



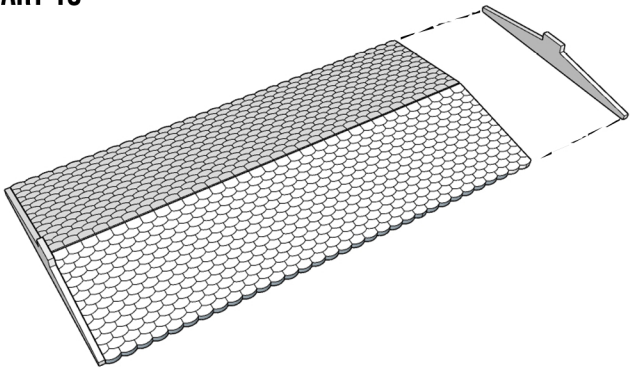
PART 13



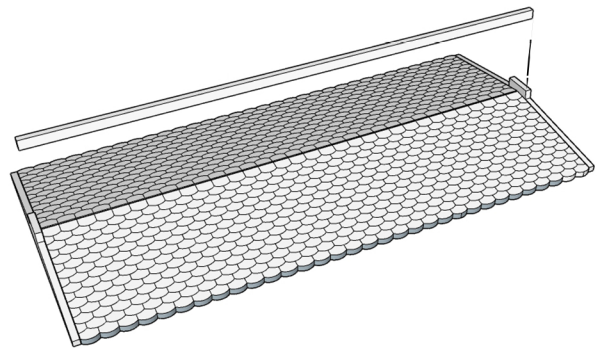
PART 14



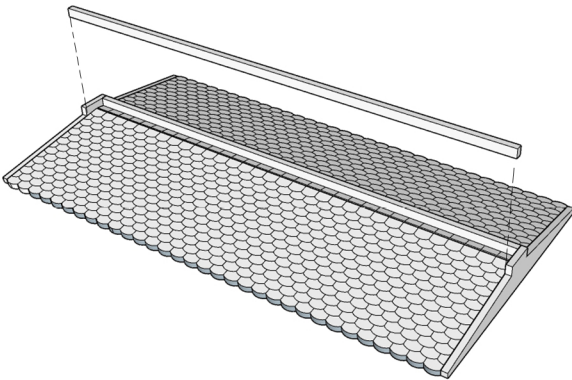
PART 15



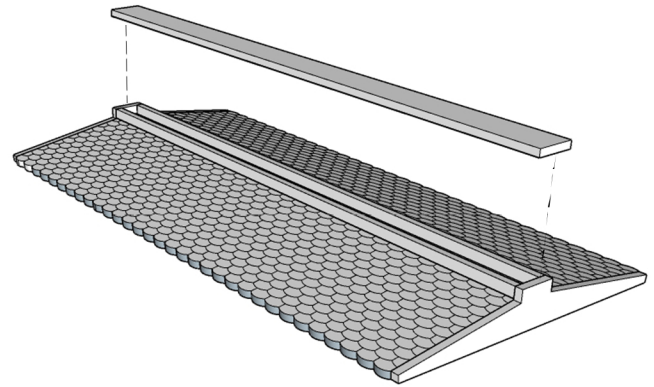
PART 16



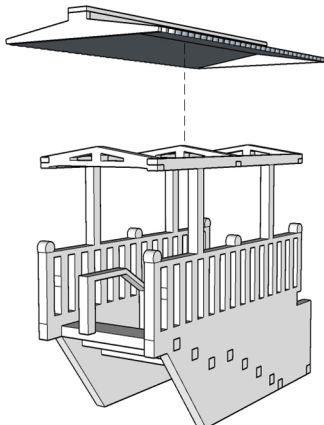
PART 17



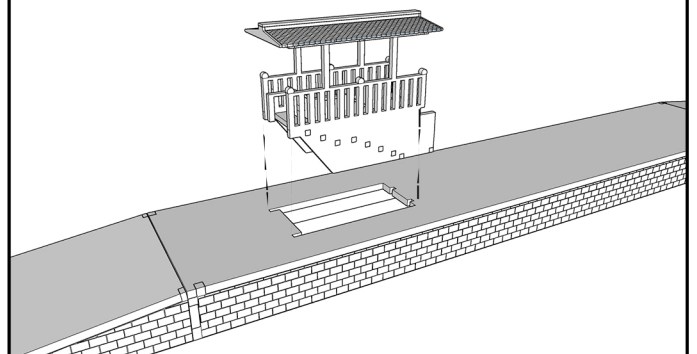
PART 18



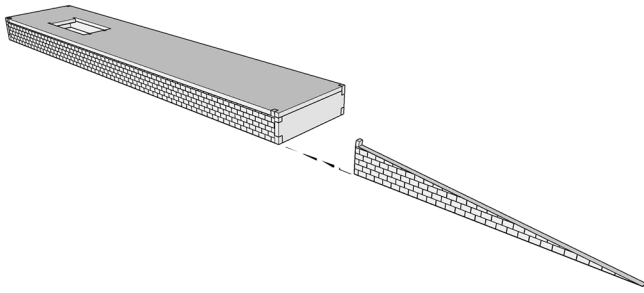
PART 19



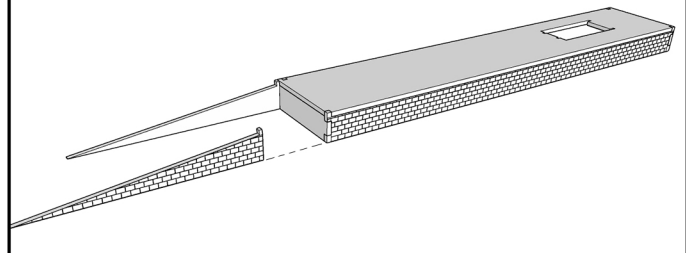
PART 20



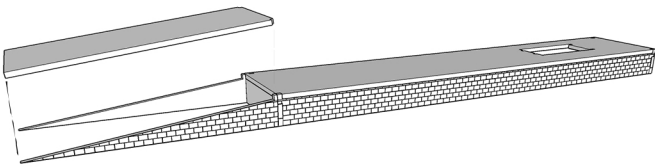
PART 5



PART 6

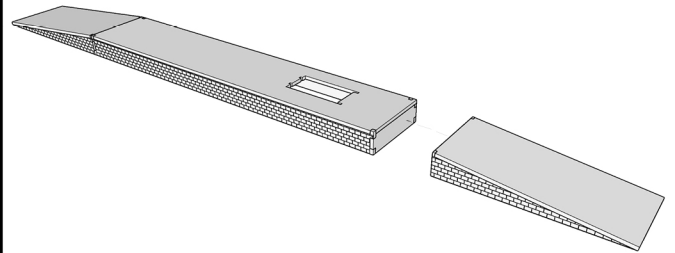


PART 7

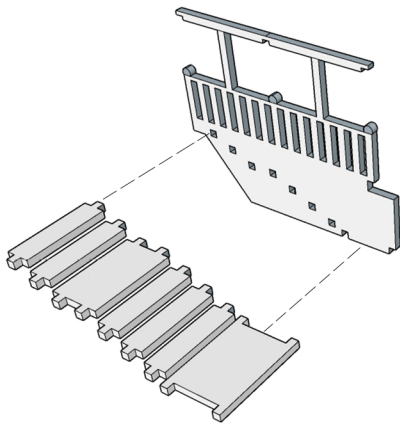


REPEAT STEP 5-7

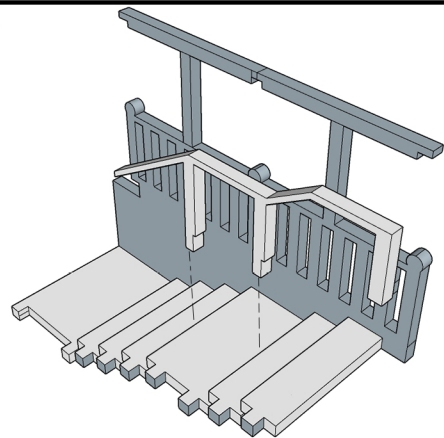
PART 8



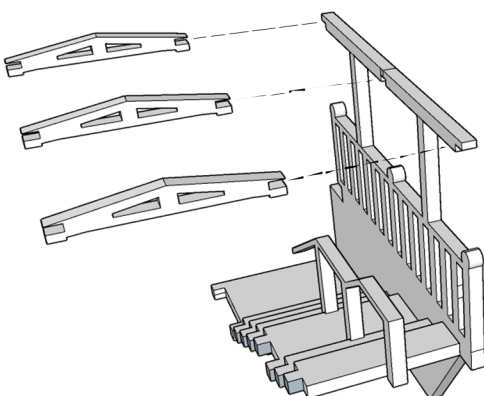
PART 9



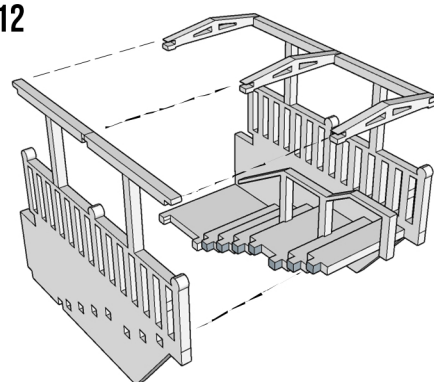
PART 10



PART 11



PART 12



"00" GAUGE PLATFORM WITH UNDERPASS

PLACE _____ GLUE - - - - -

