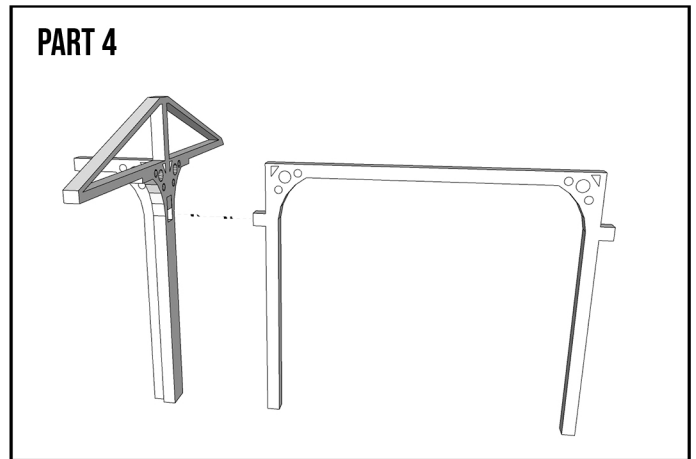
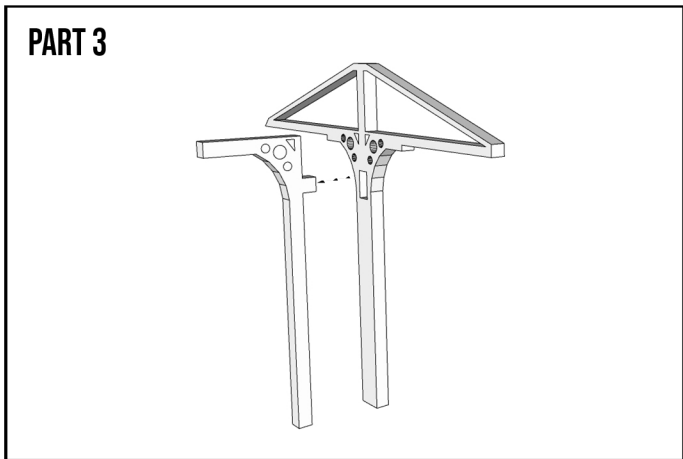
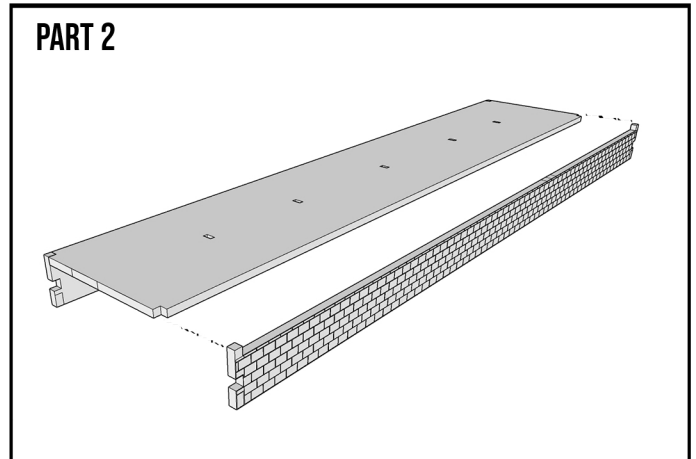
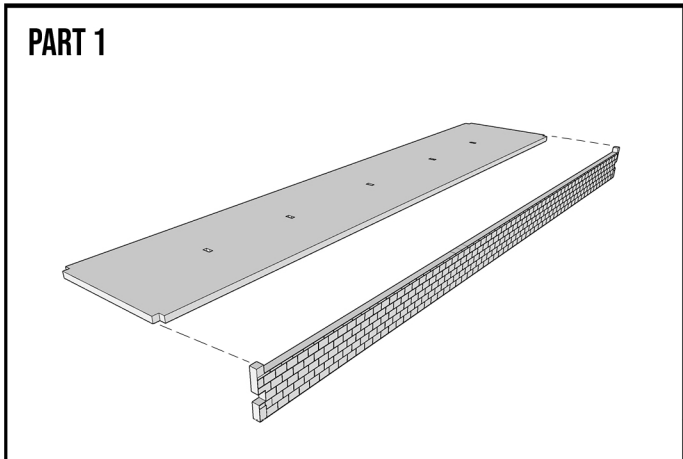
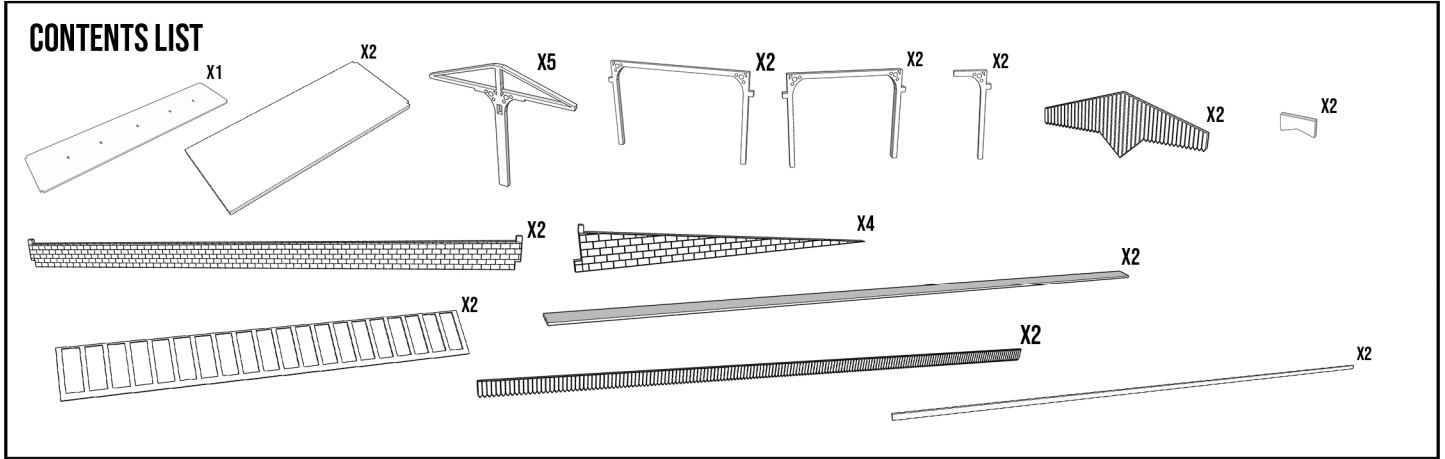
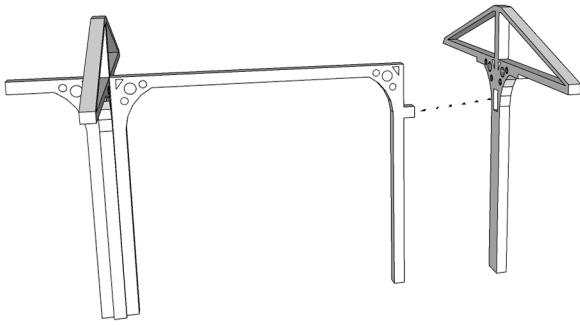


"00" GAUGE PLATFORM WITH CANOPY

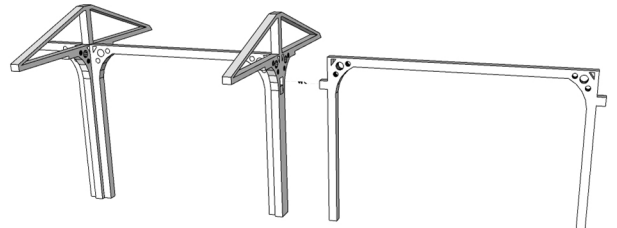
GLUE ————— PLACE - - - - -



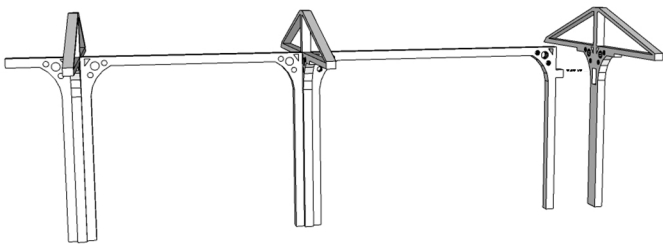
PART 5



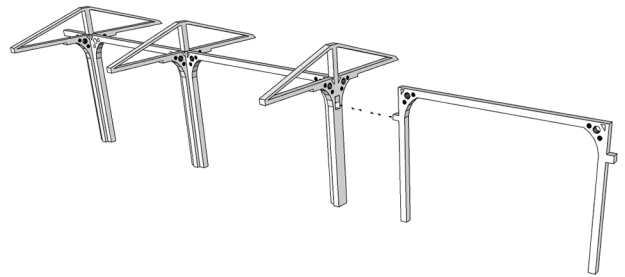
PART 6



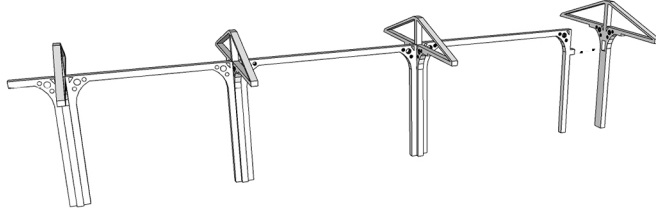
PART 7



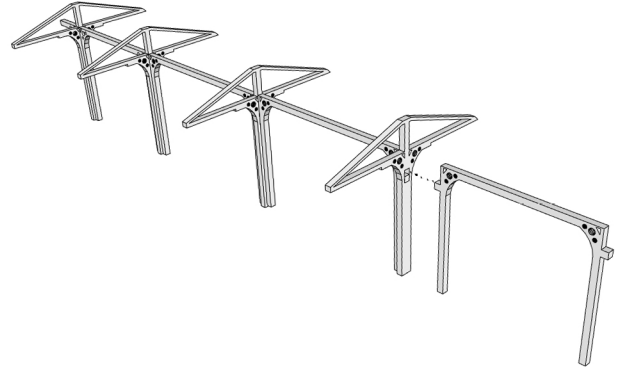
PART 8



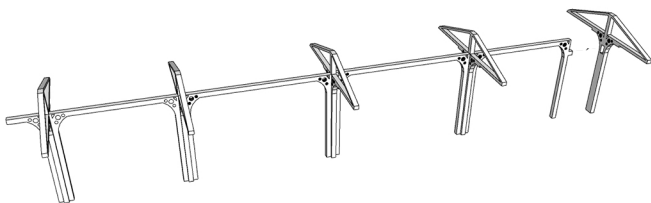
PART 9



PART 10



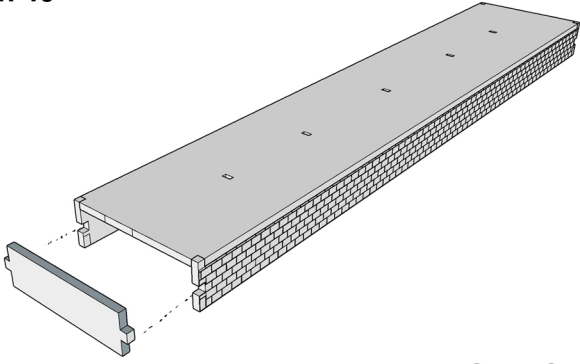
PART 11



PART 12

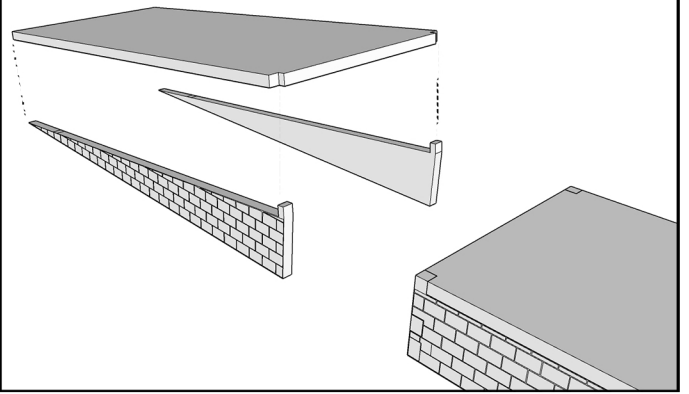


PART 13

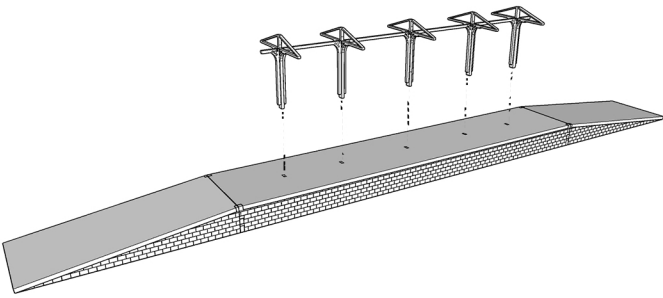


REPEATE OTHERSIDE

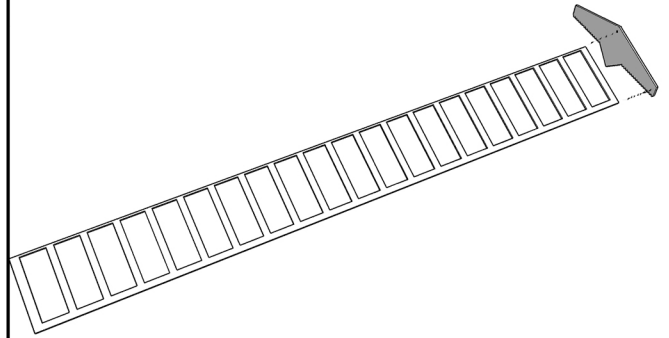
PART 13



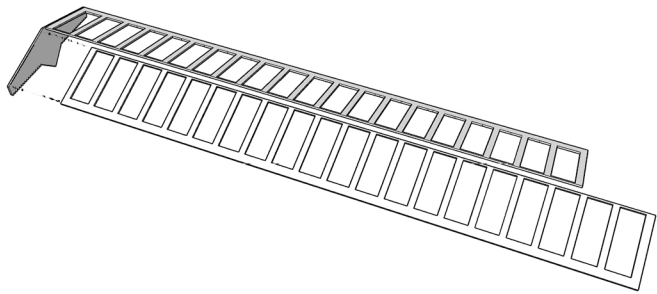
PART 15



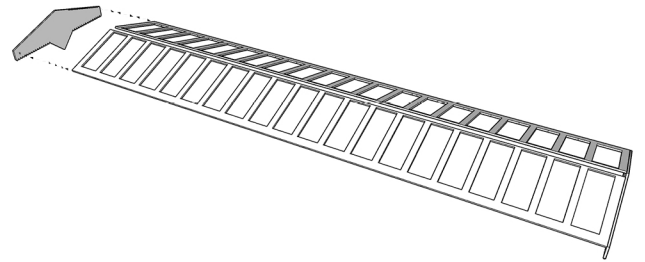
PART 16



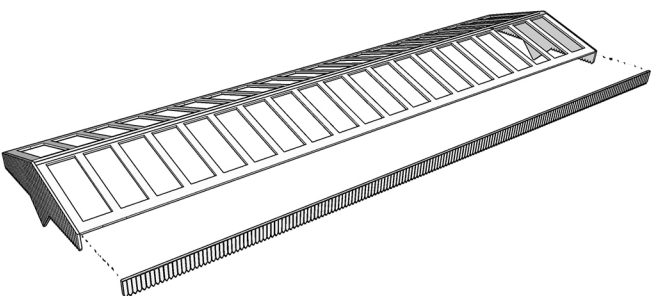
PART 17



PART 18

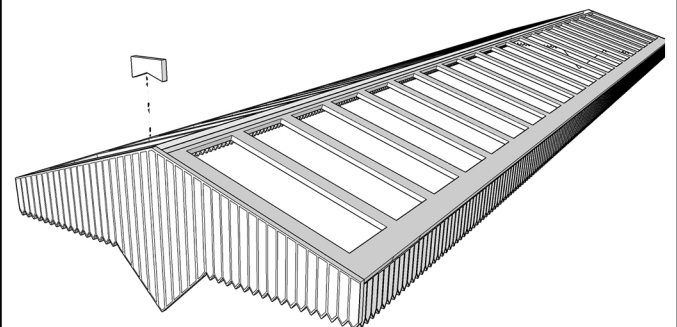


PART 19



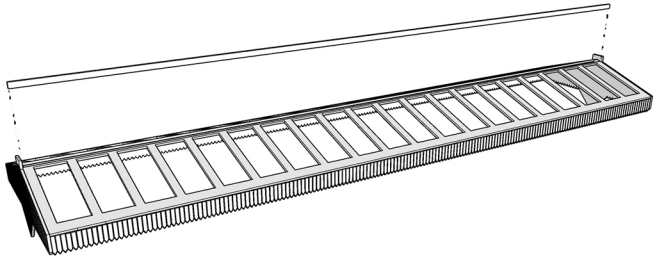
REPEAT OTHERSIDE

PART 20

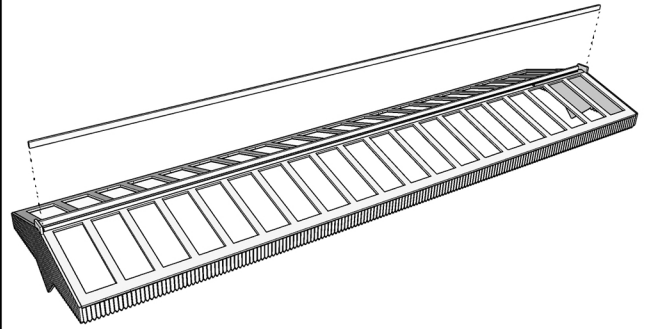


RETEAT OTHER END

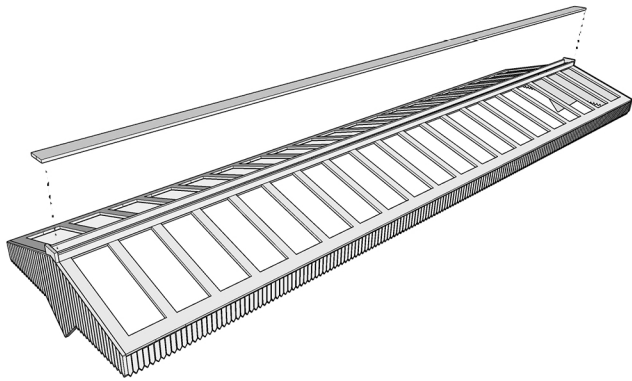
PART 21



PART 22



PART 23



PART 24

